

SANTUS

Embrace the
evolution

Vibra



Breakthrough Methodology

Over 6 years and 4 generations of R&D and testing.

The Vibra series is elegant and smart yet packed with features that will impress the sophisticated



Keeps wine fresh
up to **14** days



10 - 18 °C
Temperature
Settings



Easy to use
50-150ml preset
wine dispensing



Elegant
In design



Freshness

Core to freshness is our patent pending methodology of using **Oxygen Absorber** in our Filter Cartridge. Air from the wine bottle circulating through the cartridge will have the oxygen in the air removed.



The oxygen removal filter element can reduce the oxygen level in the wine to **0.1%**



The shelf life of a bottle of wine can be extended up to **14** days



Preserves up to **8** full bottles per cartridge



Temperature settings range between **10 - 18 °C**



Solid State
Cooling



Quiet



No Vibration



Low Power
Consumption

With temperatures settings for both white and red wines,
consumers can be assured of the best taste for every pour.

** Actual temperature in the chamber is dependent on the temperature of the operating environment*

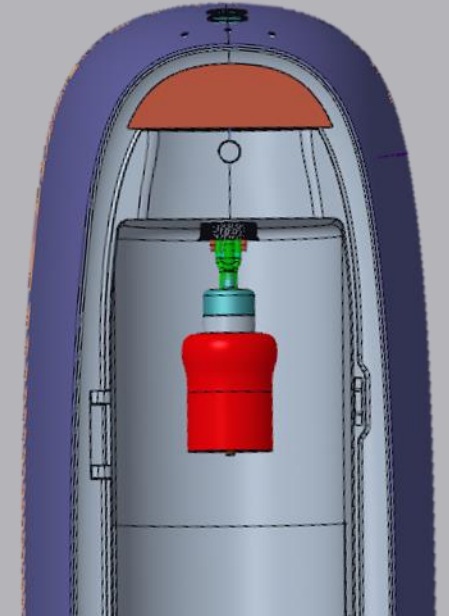


Semi-Transparent Front Door

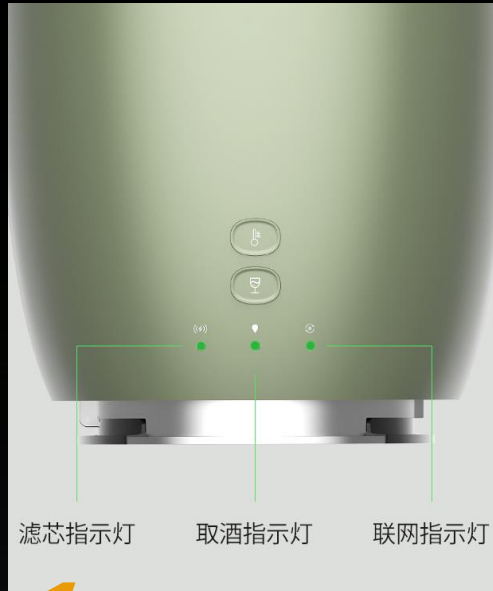
Effectively blocking the heat inside and outside;
The wine label can be seen with understated elegance

Universal Stopper

Food grade material;
Uniform expansion to create a sealed space;
Effective isolation of outside air and microbial infestation;
No air leakage deterioration, keeps fresh;
Suitable for 100% wine bottle types



Simple in Design, Big on Features



1

LED indicates status of filter usage, Wi-Fi connectivity, and readiness to pour



2

Light strip indicates number of days bottle is left in the wine chamber



3

Suitable for all wine bottle types

** Sparkling wine, champagne is not supported*



4

Concave design under the dispenser nozzle seamlessly fits the wine glass making dispensing easy



5

After dispensing, residual wine is pushed out of system to assure the best taste in every pour

Intelligence in the palm of your hands

Connect **SANTUS** to Wi-Fi and discover
a world of convenience



Alert on Filter
Status



Temperature
Settings



Wine
Volume
Setting



Alert on
Freshness



Replenish
Wine



Design Inspiration

Derived from the smooth and elegant curve of the wine into the glass, simple and slender



Official Colors



Olive Mist

Pearl Glow

Ruby Red

Sky Blue

Andante

Classic, Elegant (Award Winner)

VS

Vibra

Bright, Lively and Vibrant



2 colors available

Slimmer, takes up less space and supports standard Bordeaux 750ml bottle sizes

A single filter element supports 8 bottles

Multiple ways of dispensing but does not support preset volume dispensing

Wine bottle is secured using a raising platform that adds sophistication to the whole experience of using the Andante

4 colors available

Slightly larger and support wine bottles of all shapes and sizes

A single filter element supports 8 bottles

Multiple ways of dispensing including the ability to preset your desired dispensing volume from 50ml - 150ml via our App.

Wine bottle is secured through a simple locking of the stopper





Lifestyle choices At Home & Work



The Complete Kitchen

